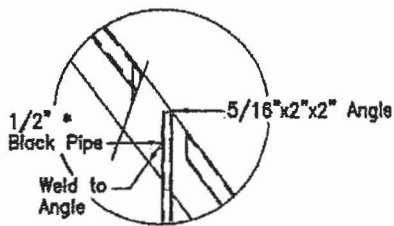
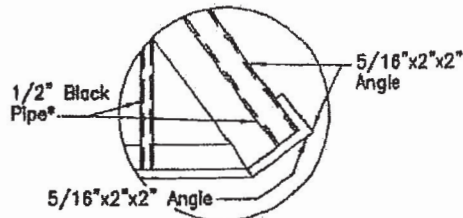


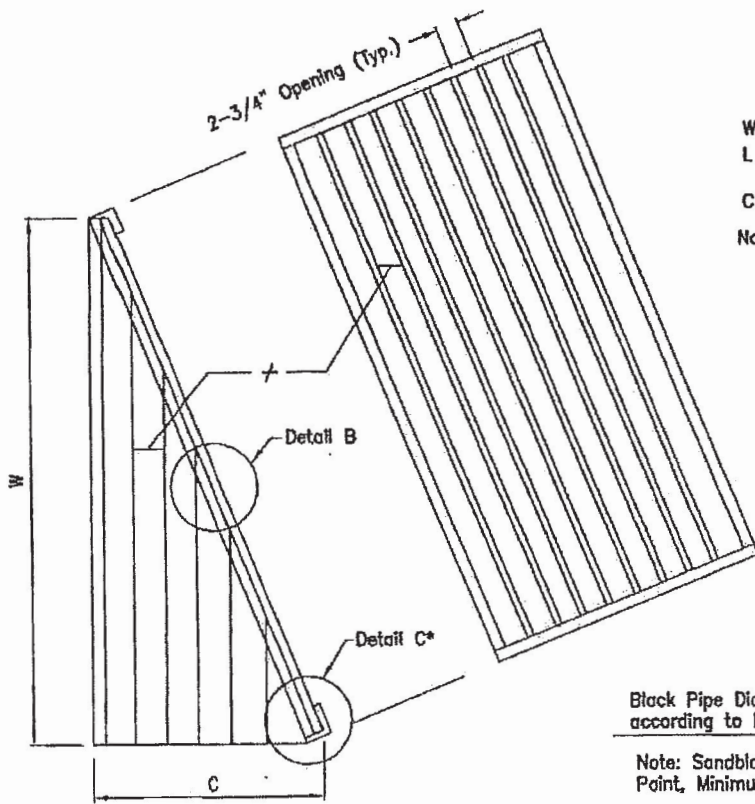
Top View



Detail B



Detail C



Section A-A

$W = \text{O.D. of Pipe} + 8"$
 $L = \text{Length required so Rack is } 12" \text{ Min. above High Water Mark.}$
 $C = 0.5 \times L$
 Note: O.D. should be expressed in Feet.

Black Pipe Dia. to Vary according to Length:	Length	Dia. Req'd.
	0-3.5'	3/4"
	3.5'-6'	1"
	6'-8'	1-1/4"
	>8'	1-1/2"

Note: Sandblast and paint Trash Rack with Rustoleum Paint, Minimum 4 Coats.

Trash Rack for Pipe Culvert

Not to Scale