

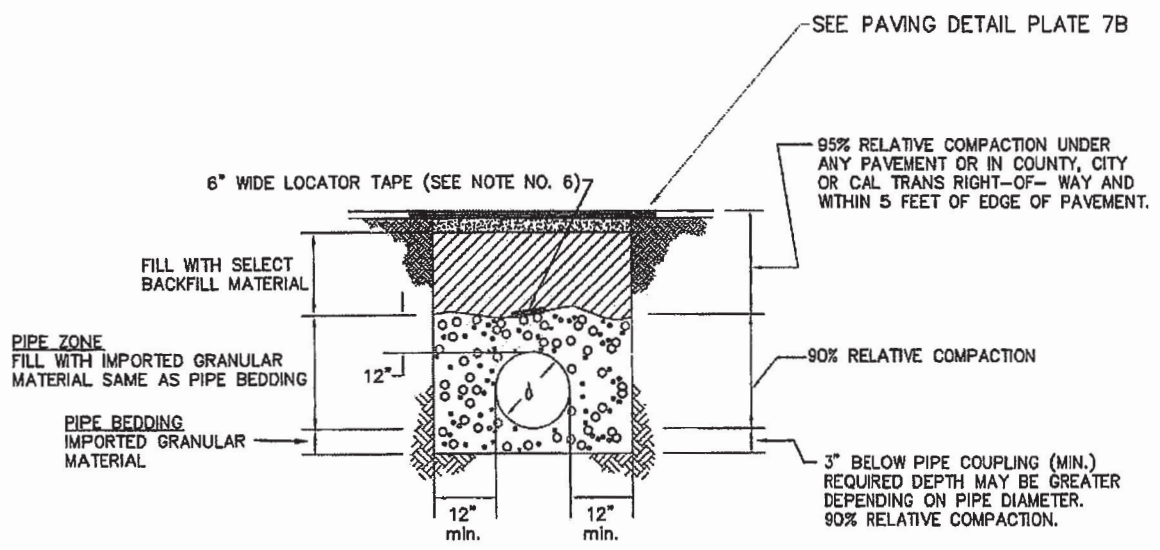
PIPELINE BACKFILL
NOT TO SCALE
UNPAVED AREAS

BACKFILL NOTE :

SEE SPECIFICATIONS FOR BACKFILL MATERIALS AND DEFINITIONS.

TRENCH WIDTH NOTE :

THE MINIMUM WIDTH OF PIPE TRENCHES SHALL NOT BE LESS THAN 12 INCHES GREATER THAN THE EXTERIOR DIAMETER OF THE PIPE. THE MAXIMUM WIDTH OF PIPE TRENCHES SHALL BE THE EXTERIOR DIAMETER OF THE PIPE PLUS 20 INCHES..



PIPELINE BACKFILL
NOT TO SCALE
PAVED AREAS

NOTE

SEE PLATE 7B FOR GENERAL NOTES

L:\aid\dwg\Standard PLATE Drawings\PLATE 7a.dwg