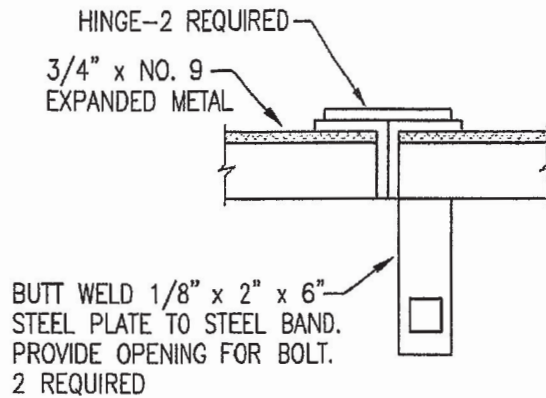
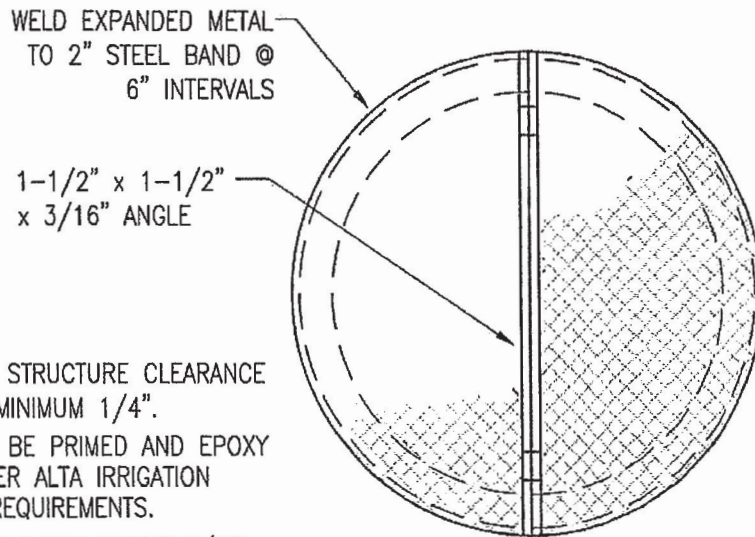


HASP DETAIL



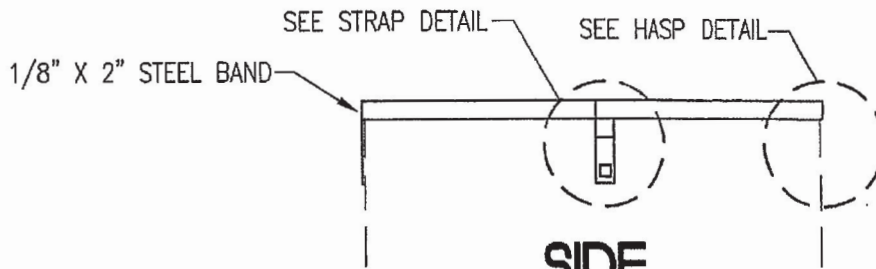
STRAP DETAIL



NOTES:

1. COVER TO STRUCTURE CLEARANCE TO BE A MINIMUM 1/4".
2. COVER TO BE PRIMED AND EPOXY COATED PER ALTA IRRIGATION DISTRICT REQUIREMENTS.
3. SEE PLATE 4 FOR MANHOLE/AIR VENT DETAIL.

PLAN



SIDE

EXPANDED METAL COVER

NTS